

# SYSTÈME DE CÂBLE FESTON

 **Screwdriving technology**

 **Workspace Organisation**

 **Safety & Ergonomics**



Your Assembly Workspace Partner





# One-stop shopping!

**Solutions** are born as ideas and implemented through **products**.

Handling Systems from Conductix-Wampfler are applicable to all industrial sectors. With our workplace systems, we offer you the building blocks to create ergonomic workstations and assembly lines.

Conductix-Wampfler develops system solutions that are tailored exactly to individual requirements. Customers from all industry sectors rely on solutions from Conductix-Wampfler.

Robust and high quality products mean less repair and maintenance - saving time and costs over the entire life cycle.

As a system supplier, we at Conductix-Wampfler offer our customers complete service, not just the delivery of the physical products which, if desired, include the steelwork and the lighting. Competent consulting, planning of the entire project, selection and procurement of components and accessories, appropriate logistics design, and on-site commissioning make Conductix-Wampfler stand out.

The result is that important data and necessary power are safely, reliably, and permanently available wherever and whenever they are needed.

Anywhere in the world!

You can count on it!



Equipment Bridge on an assembly line



Jib boom in boat manufacturing

C-Rail system at the finishing area of a car production



# System Overview

The range of Conductix-Wampfler workplace systems covers single and double rail systems to jib booms and equipment bridge solutions.

When you combine an equipment or tool carrier and the appropriate energy supply, you can equip your workstation according to your own specific application.

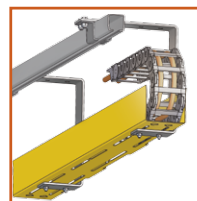


## Jib Boom

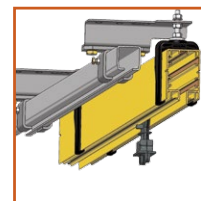
In combination with a tool carrier and energy supply.



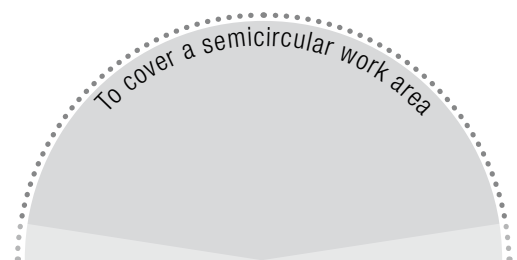
Cable Chain



Conductor Rail



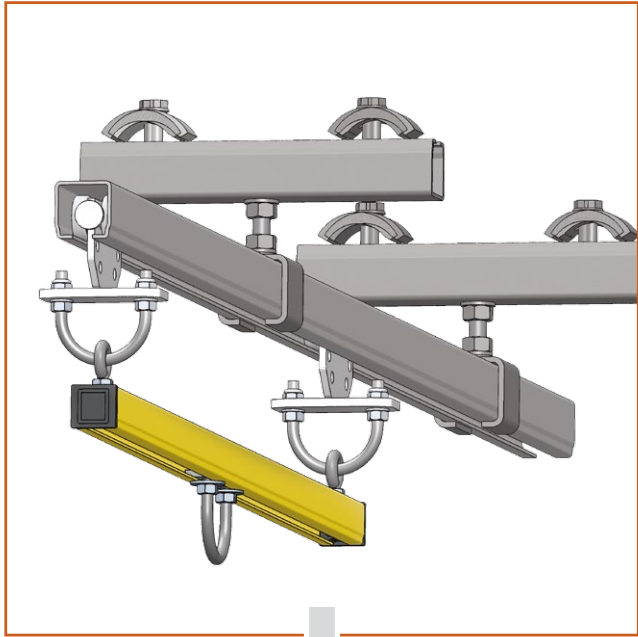
Festoon System





### C-Rail track

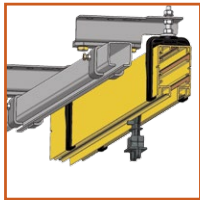
As a single or double rail, it can be combined with an equipment carrier and energy supply.



Cable Chain

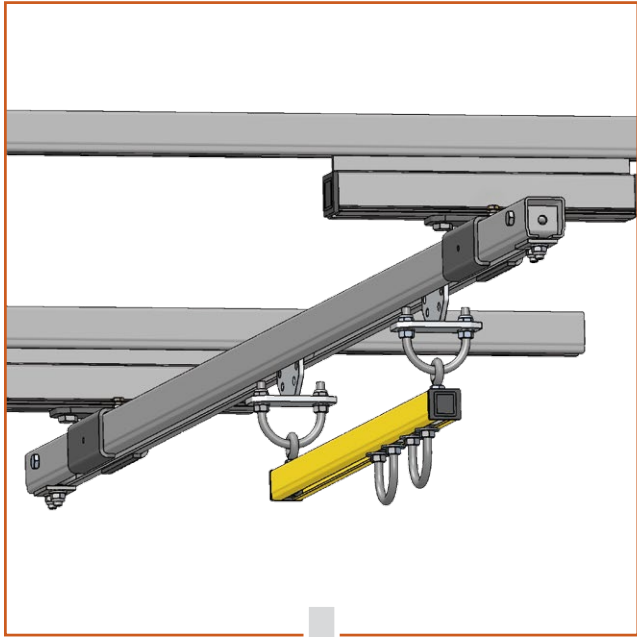
Conductor Rail

Festoon System



### Equipment Bridge

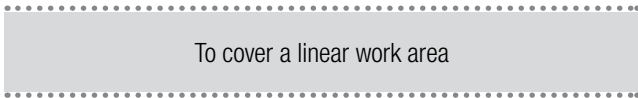
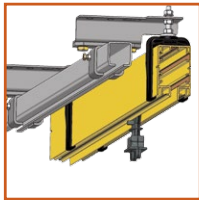
As a single or double equipment bridge, it can be combined with an equipment carrier and energy supply.



Cable Chain

Conductor Rail

Festoon System







# Jib Boom



**Main applications:**

Assembly work stations in almost all industries, such as furniture manufacturers, sheet metal, automotive industry, electrical equipment, and material handling

**Variable use** through ceiling or pedestal mounting, and customized column heights

**Simple operation** through smooth running rollers

**High flexibility** through modifiable and extendable C-rail profile

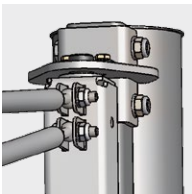
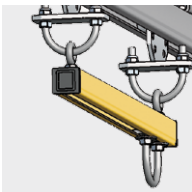
**Maintenance-free** through internal running rollers to prevent contamination

**High safety** through end position protection

**Standard operational data**

Boom lengths from	0.63 to 5 m
Column height of	3 m and 4 m
Profile sizes	C30, C40, C50
Max load	6 kg to 125 kg
Operating conditions	Indoors, 10° C to +60° C
Mounting	With pillar or wall mounting bracket
Boom material	Painted steel and / or galvanized
Column material	Primed steel and / or painted
Power supply	Festoon system, cable chain, enclosed conductor rail
Tool holder	Equipment trolley and tool trolley
Bracing	From 10 kg

**Not permitted to hoist!** Special designs and deviating customer requirements on request.

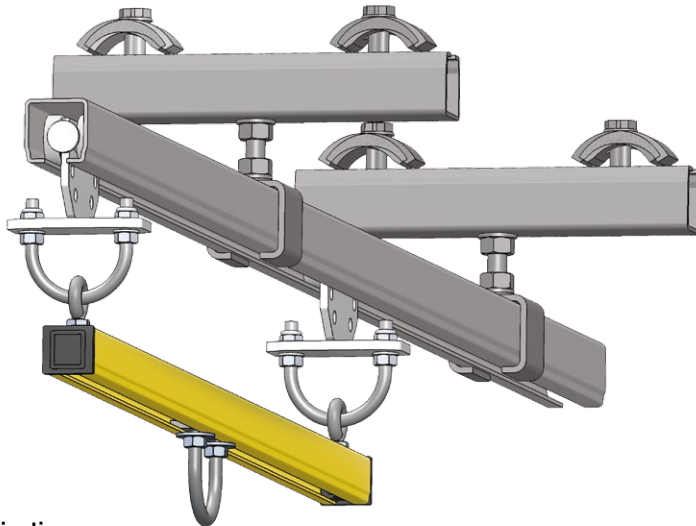








# C-Rail Track



**Very easy movement** through smooth running rollers

**Flexible tracks** through ease of curving

**Variable mounting suspension** through holders for wood beams, concrete and steel girders

**High flexibility** through extendable C-rail profile

**Maintenance-free** through internal running rollers to prevent contamination

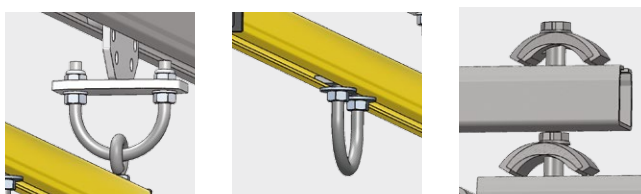
## Main applications:

- Assembly lines
- Testing workstations
- Assembly workstations in virtually every industry, such as furniture manufacturers, sheet metal, material handling, electrical equipment, packaging station

## Standard deployment data

Track length	Almost all lengths possible
Characteristic	Single or double rail
Suspension clearance	1 m or 2 m
Profile sizes	C30, C40, C50, C63, C80
Maximum loads	Up to 800 kg distributed load / m
Operating conditions	Indoors, 10° C to +60° C
Mounting	Ceiling, wall or floor mounting
Material C-rail, suspensions	Galvanized steel
Power supply	Festoon system, cable chain, enclosed conductor rail
Tool holder	Tool trolley and equipment trolley

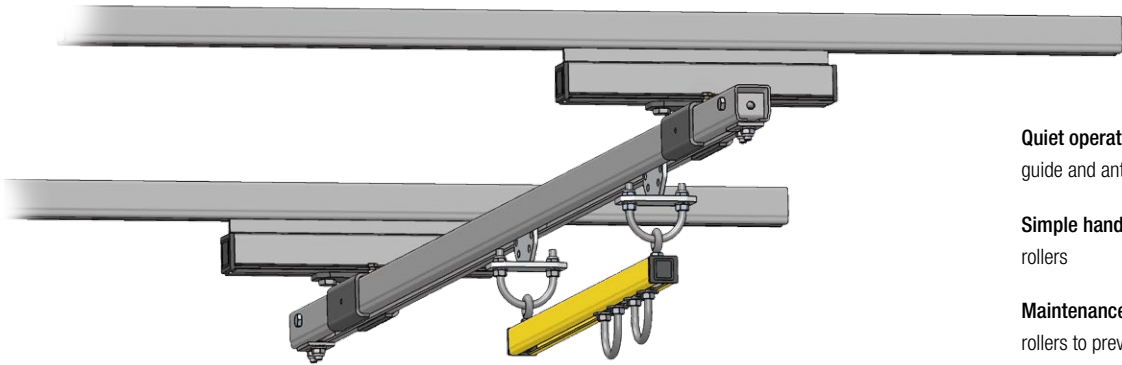
**Not permitted to hoist!** Special designs and deviating customer requirements on request.







# Equipment Bridge



**Quiet operation** using trolleys with side guide and anti lift rollers

**Simple handling** through smooth running rollers

**Maintenance-free** through internal running rollers to prevent contamination

**High flexibility** because of modifiable and extendable C-rail profile

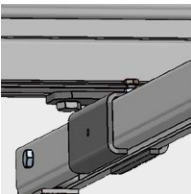
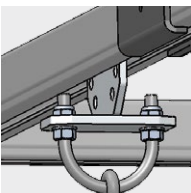
**Main applications:**

- Assembly lines
- Testing workstations
- Assembly workstations in virtually every industry, such as furniture manufacturers, sheet metal, material handling, electrical equipment, packaging station

**Standard deployment data**

Track length	Nearly all lengths possible
Characteristic	Single or double bridged Equipment Bridge
Bridge length	1 m to 6 m
Suspension clearance	1 m and 2 m
Profile sizes	C40, C50, C63, C80
Max loads	Up to 1000 kg / bridge
Operating conditions	Indoors, 10° C to +60° C
Mounting	Ceiling, wall or portal
Material C-rail, suspension	Galvanized steel
Power supply	Festoon system, cable chain, enclosed conductor rail
Tool holder	Tool trolley

**Not permitted to hoist!** Special designs and deviating customer requirements on request.



# Energy Supply

The supply of electricity, compressed air and data can usually be provided through three fundamentally different systems.

Such systems are characterized by various advantages and can be individually adapted to your requirements.

All three Conductix-Wampfler systems are in use around the world in very different applications.

The modular design of the systems and the almost limitless expandability make this universal applicability possible.



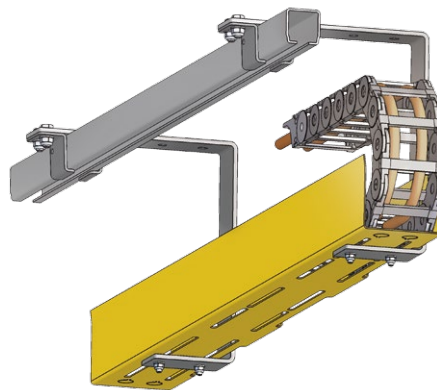
Combined reliability with **enclosed conductor rail** to an **equipment bridge**.

Simple and flexible **Festoon System** on a **C-Rail Track**.



## Festoon System

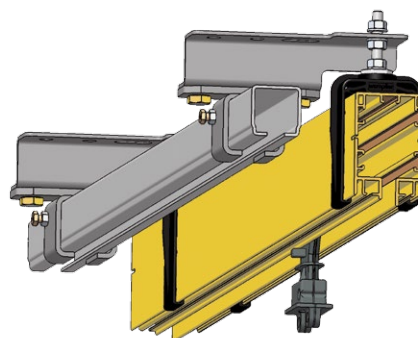
Classic towing system for simple applications, with hose or cable loops. For compressed air, electricity and data transmission.



## Cable Chain in guiding channel

The integrated system replaces festoon loops with guided energy supply chain (Suitable for retrofitting).

For compressed air, power and data transmission



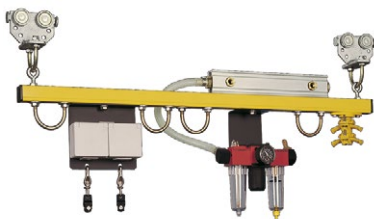
## Enclosed Conductor Rail

Multi-pole, closed conductor for movements preferably in a straight path. 4-5-6-7 poles for data and power transmission



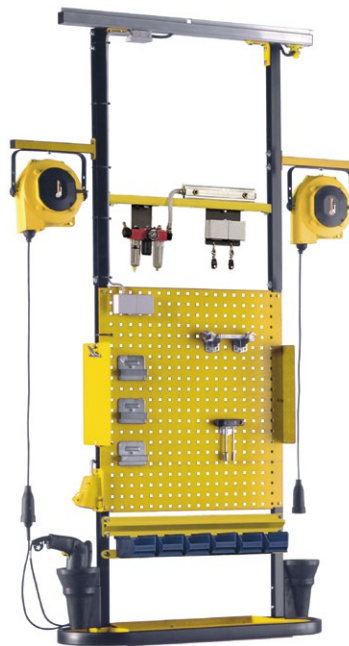
# Equipment carrier

Equipment carriers function as both mobile energy distribution and tool storage units.



## Equipment carriers

Sturdy C-rail carriers in lengths ranging from 400 mm to 800 mm, with easy moving trolleys and steel or plastic rollers.



## Tool transporter

Adjustable draw lengths from 1750 mm to 3150 mm and models that can be rotated ( $\pm 180^\circ$ ) are the basis for numerous mounting options. Tool carrier trolleys are available with steel or aluminum frames.

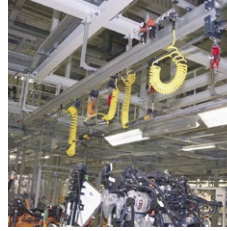


For customization of equipment carriers, Conductix-Wampfler offers a wide variety of **accessories**:

- Compressed air couplers
- Filter regulator-lubricator
- Electrical connections/distributors
- Cable/hose reels
- Balancers/retractors
- Perforated sheet metal
- Warehouse storage bins
- Tool bins
- Light fixtures
- ...



**Customized solutions** come first for Conductix-Wampfler: we identify, design, and produce your individual, ergonomically optimized tool transporter, including all accessories and equipment.



# Service tailor-made

## Industry-specific expertise

The scope and depth of Conductix-Wampfler services are oriented to the needs and requirements of our customers. From project planning to long-term service contracts, everything is possible, completely according to your wishes. The more complex the system design, the expectations on the life cycle and operational reliability, the more meaningful will be the commitment of our competent service teams. Try us!

## Project engineering

- Product neutral consulting
- Selection of appropriate workplace systems optimized to customer needs, application parameters and environmental influences



## Installation & Acceptance

- Delivery of pre-assembled systems
- Ensuring the correct assembly on site
- Quality assurance according to standards set by the customer
- Complete installation and commissioning by trained and experienced personnel

## Maintenance & Service

- Regular maintenance and inspections increase the lifespan of the plant and thus secure long-term availability
- Conductix-Wampfler service agreements: „all-inclusive packages”



From project planning through pre-assembly to the installation, specialists from Conductix-Wampfler guide their customers all over the world!





# Your Applications - our Solutions

Workplace-Systems from Conductix-Wampfler represent only one of the many solutions made possible by the broad spectrum of Conductix-Wampfler components for the transport of energy, data and fluid media. The solutions we deliver for your applications are based on your specific requirements. In many cases, a combination of several different Conductix-Wampfler systems can prove advantageous. You can count on all of Conductix-Wampfler's Business Units for hands-on engineering support - coupled with the perfect solution to meet your energy management and control needs.



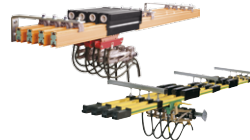
## Cable reels

Motorized reels and spring reels by Conductix-Wampfler hold their own wherever energy, data and media have to cover the most diverse distances within a short amount of time - in all directions, fast and safe.



## Festoon systems

It's hard to imagine Conductix-Wampfler cable trolleys not being used in virtually every industrial application. They're reliable and robust and available in an enormous variety of dimensions and designs.



## Conductor rails

Whether they're enclosed conductor rails or expandable single-pole systems, the proven conductor rails by Conductix-Wampfler reliably move people and material.



## Non-insulated conductor rails

Extremely robust, non-insulated conductor rails with copper heads or stainless steel surfaces provide the ideal basis for rough applications, for example in steel mills or shipyards.



## Energy guiding chains

The "Jack of all trades" when it comes to transferring energy, data, air and fluid hoses. With their wide range, these energy guiding chains are the ideal solution for many industrial applications.



## Slip ring assemblies

Whenever things are really "moving in circles", the proven slip ring assemblies by Conductix-Wampfler ensure the flawless transfer of energy and data. Here, everything revolves around flexibility and reliability!



## Inductive Power Transfer IPT®

The no-contact system for transferring energy and data. For all tasks that depend on high speeds and absolute resistance to wear.



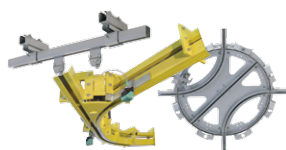
## Reels, retractors and balancers

Whether for hoses or cables, as classical reels or high-precision positioning aids for tools, our range of reels and spring balancers take the load off your shoulders.



## Jib booms

Complete with tool transporters, reels, or an entire media supply system - here, safety and flexibility are key to the completion of difficult tasks.



## Conveyor systems

Whether manual, semiautomatic or with Power & Free – flexibility is achieved with full customization concerning layout and location.