



PAAL- & REKBESCHERMING

 **Screwdriving technology**

 **Workspace Organisation**

 **Safety & Ergonomics**



Your Assembly Workspace Partner

BESCHERMINGSPAAL INDUSTRIËLE PRODUCTEN



VOORDELEN:

- Vermijdt schade aan palen, verlichtingen, ...
- Snelle en gemakkelijke plaatsing (zonder externe bevestigingsmiddelen)
- vervormt en neemt haar oorspronkelijke vorm terug aan
- U.V.-bestendig en chemisch resistent
- Gemakkelijk schoon te maken...



BESCHERMINGSPAAL:

- set van 2 stuks + montage-accessoires (2 PE buizen)
- standaard kleur : geel
- optioneel : - markering op het stuk (bv. bedrijfslogo,...)
(voor een bestelling van minimum 100 sets)
- andere kleur (voor een bestelling van minimum 20 sets)

Referenties	Externe diameter	Max.afmetingen van de paal	Hoogte
Beschermingspaal	ø 610	200 x 200	1100
Beschermingspaal	ø 610	300 x 300	1100
Beschermingspaal	ø 840	400 x 400	1100
Beschermingspaal	ø 940	500 x 500	1100



ACCESSOIRES VOOR BESCHERMINGSPAAL:

Referentie	Afmetingen	Verpakking	Gebruik
Hijsbalk	1100 x 200 x 155	2 stuks + montage- accessoires	toename in diameter
Stut / bescherming	1000 x 200 x 100	1 stuk	Gootbescherming

Afmetingen in mm, ter informatie, kan worden gewijzigd zonder voorafgaande kennisgeving
(verschillende kleuren vanaf bestelling minimumhoeveelheid)

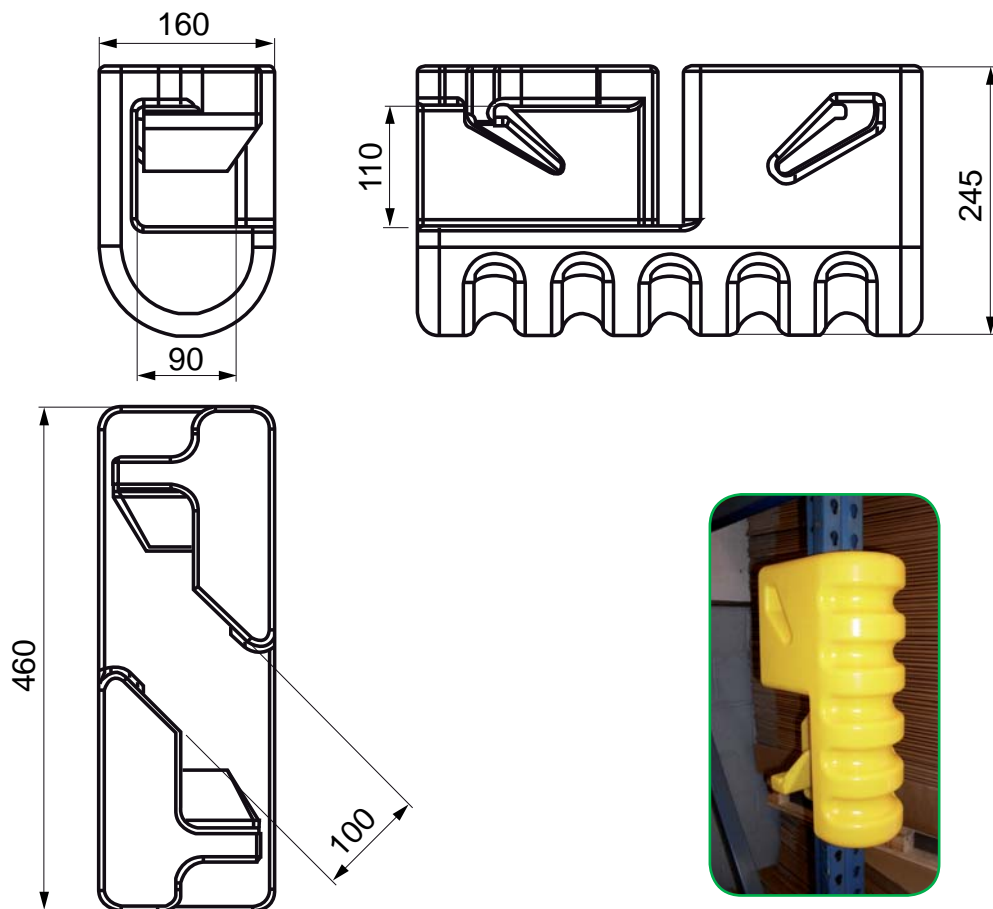
HOEKBESCHERMING INDUSTRIËLE PRODUCTEN



Referentie	Afmetingen	Verpakking
Hoekbescherming	1000 x 115 x 154	1 stuk

Afmetingen in mm, ter informatie, kan worden gewijzigd zonder voorafgaande kennisgeving
(verschillende kleuren vanaf bestelling minimumhoeveelheid)

REKBESCHERMING INDUSTRIËLE PRODUCTEN



Afmetingen in mm, ter informatie, kan worden gewijzigd zonder voorafgaande kennisgeving
(verschillende kleuren vanaf bestelling minimumhoeveelheid)

Column Protector



High strength impact resistance and energy absorption

Stackable and adaptable for protection at any height

Fork protection and deflection

Optimised footprint

Protected fixings

Quick and easy installation

Fits all universal square and rectangle columns



Features and Benefits

High Strength

Inner and outer structural support ribs increase rigidity and maximise impact resistance for high strength protection.

Absorption

Low density polyethylene delivers strong impact resistance at both ambient and sub-ambient temperatures. Chevron and rectangular indents increase the surface area, providing more material for energy absorption, and allowing the Column Protector to expand and contract before reforming to its original shape.

Air Channel

Specifically developed product design has structural integrity and absorption built-in with a uniquely formed air channel providing an additional layer of protection, as opposed to the only method of resistance often offered by alternative systems.

Fork Protection

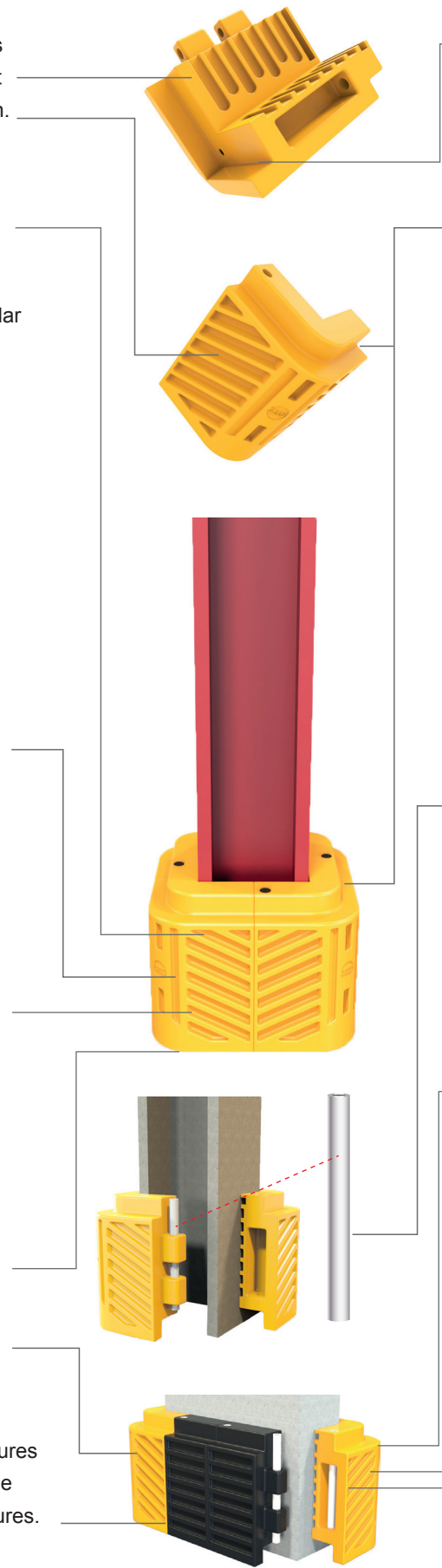
Impact resisting chevron and rectangular indents increase fork protection by removing flat surface areas that are susceptible to fork penetration. Inner rib structure further enhances rigidity to resist and deflect forks.

Optimised Footprint

Interlocking, modular system ensures a tight grip to column on all sides for fully encased protection and space optimisation.

Modular & Adaptable

Fully adaptable, modular system ensures a perfect fit to all square and rectangle universal columns and vertical structures.



Fixings Protection

Inner step feature encapsulates and encloses the base plate to protect fixings.

Stackable & Integrated

Stepped stacking feature connects multiple Column Protectors together so they act as one integrated unit instead of separate systems. The step enables the stacked assembly to lock in place and allows energy to transfer throughout the entire system for even greater protection at increased heights.

Proven Performance

Proven iFlex 36 OD rod connects the corners providing high performance strength and energy absorption. The interlocking pin connection allows the system to act as one for superior strength as well as independently for maximum flexibility and energy dissipation.

Structural Integrity

Interlocking sections create a 'locked' unit around the column for superior structural integrity, and a channel for impact energy to be transferred and dissipated away from the column and not to it.

Quick & Easy Installation

Simple assembly with modular, interlocking sections and the logo for clear orientation.

Highly Visible

Prominent chevron design delivers a clear warning with the distinctive yellow and contrasting black inserts creating a strong visual alert.

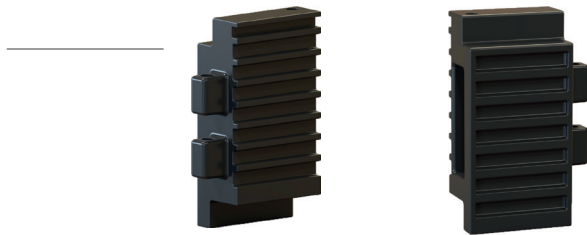
Expansion Panels

New Expansion Panels have been developed to accommodate all universal square and rectangle columns. Infinite combinations of Expansion Panels and Corners mean that the Column Protector can be customised to any size of square or rectangle column.

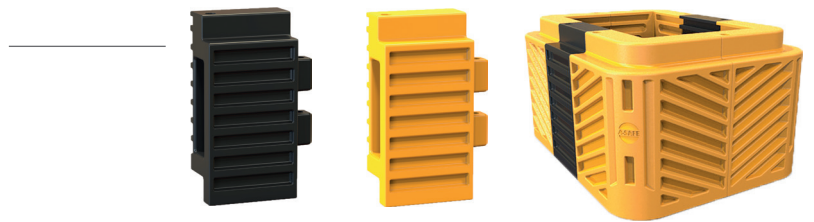
After in-depth research and development, just 3 sizes of Expansion Panel are needed to create every combination necessary to fit all universal square and rectangle columns.



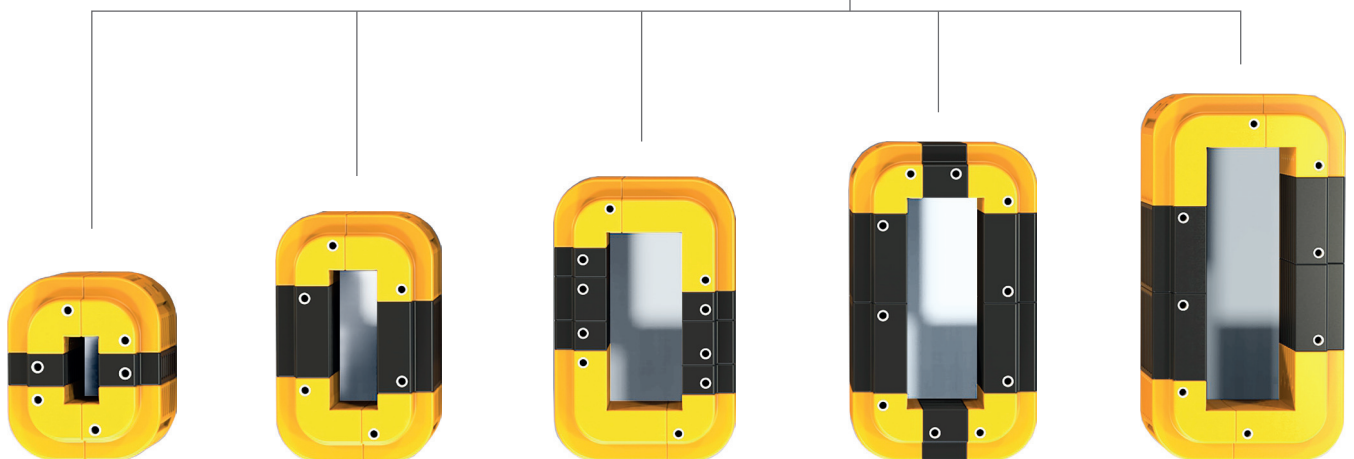
Expansion Panel structural support ribs and surface indents replicate the Corner sections to deliver consistently superior strength, energy absorption and fork protection from every angle.



Available in both black and yellow to allow the creation of a contrasting design as an additional warning and visual alert.



iFlex 36 OD rod connects every Expansion Panel, with each addition enhancing the overall strength and flexibility of the system through increased interlocking sections for rigidity and a greater number of pins for energy transfer and dissipation.



Pioneering Interlocking Stacking Feature

Our new Column Protector provides superior protection at any height.

It's unique stepped stacking feature connects multiple Column Protectors together so they act as one integrated unit instead of separate systems. The step enables the stacked assembly to lock in place, allowing impact energy to transfer through the entire system for even greater absorption, resistance and protection at increased heights. This is very different to alternative products which are merely positioned on top of each other and act independently.

An infinite number of stacks can be added to both square and rectangle columns, providing clients with maximum adaptability to their environment.

Examples of Stacked Profiles

Square Columns

Single Stack



600m Height

Double Stack



1120mm Height

Triple Stack



1640mm Height

Rectangle Columns



600m Height



1120mm Height



1640mm Height



Square Column Protector – Single Stack



Square Column Protector – Single Stack



Square Column Protector – Double Stack



Square Column Protector – Triple Stack



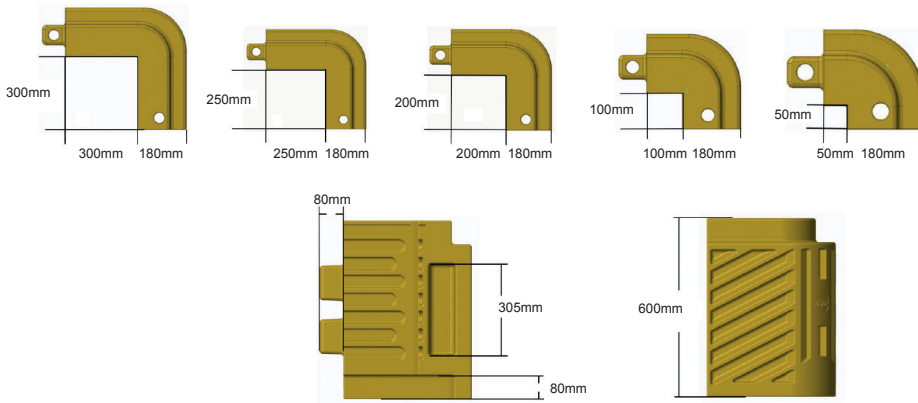
Rectangle Column Protector – Single Stack



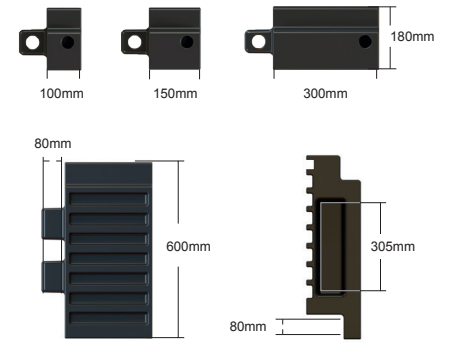
Rectangle Column Protector – Quad Stack

Range Size Information

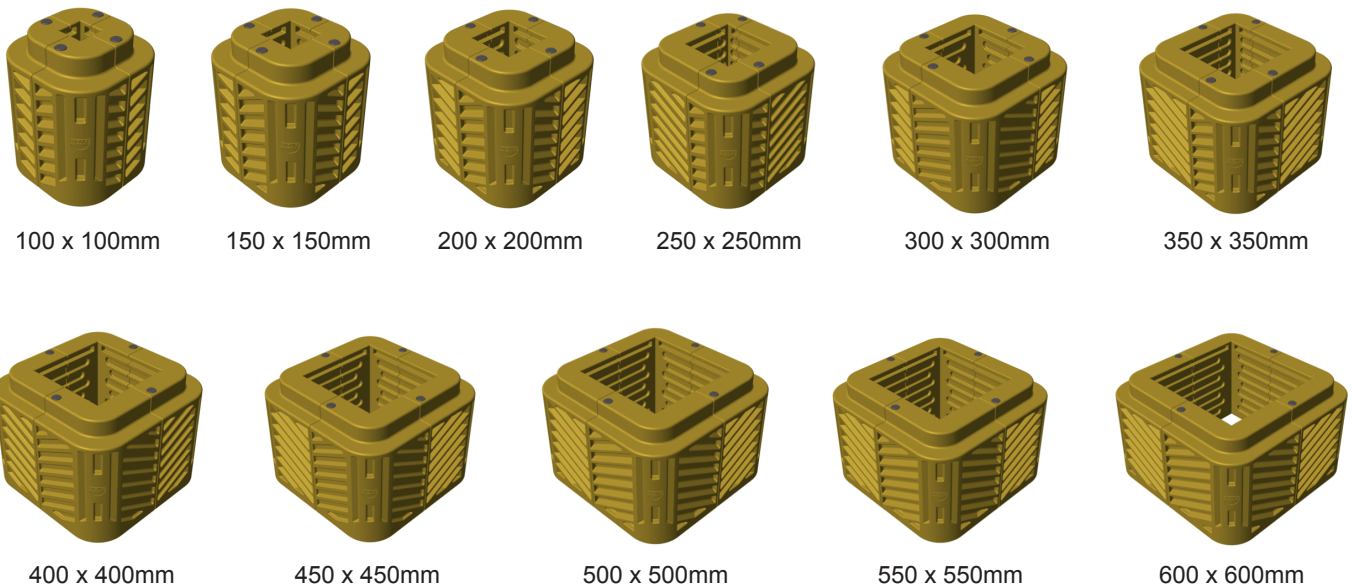
Corner Sizes



Expansion Panel Sizes

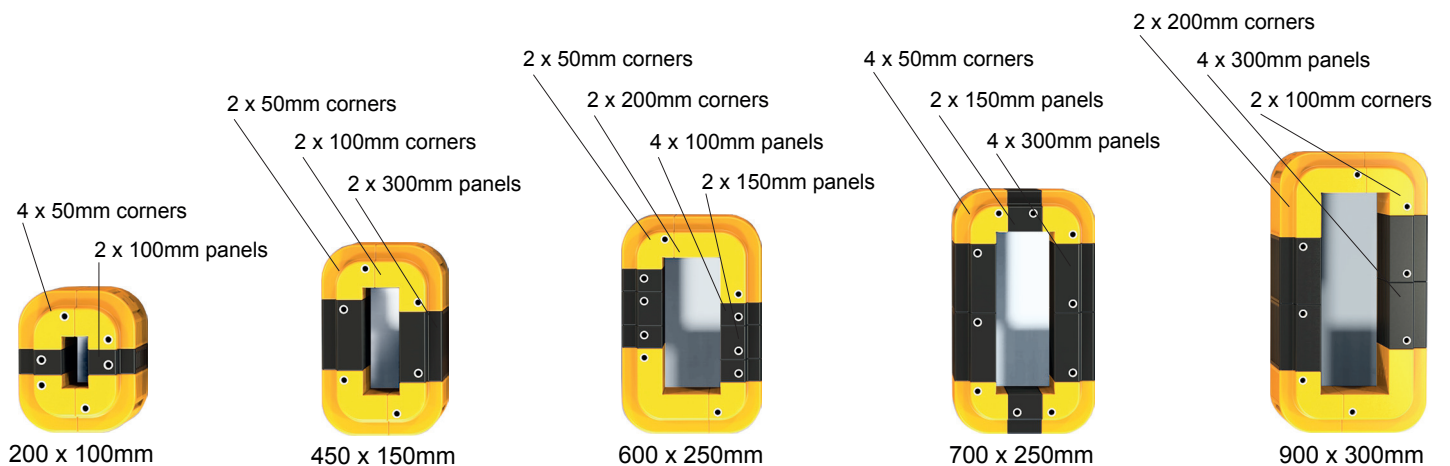


The corner sizes combine in different configurations to create square column protectors in the most popular sizes as shown below:



For any other sized square or rectangle column, Expansion Panels tailor the Column Protector to create a perfect fit. Infinite combinations are possible meaning the Column Protector can be customised to any size of column, whether square or rectangle.

Please see below examples of just a few of the possible combinations:



Assembly

The Column Protector corners and expansion panels interlock similar to giant jigsaw pieces for quick and easy assembly.

Tested and proven iFlex 36 OD rod holds the components together. Insert the rod into the hole at the top and push it through until it reaches the base of the hole at the bottom for correct install and to keep the rod in place.

