



Screwdriving technology



Automation



Air motors



Air tools



Air Grinders with Collets

Inline Design - Power Output: 150 W / 270 W (.20 / .36 HP)

- High power output at a low weight
- Ergonomic
- Highly durable

Small grinders with collets are especially well suited for the precision grinding with grinding tips and for fabricating using carbide cutters.

Ergonomic, low-weight and suitable for numerous application cases - in the tool-, die-, and mold making or in small industrial areas.

These grinders efficiently allow the fabrication of plastics, metals and casting - even when using these tools in 24/7 operations.



GDS 027-320 BY



GDS 015-470 SY



GDS 015-470 SX



The best tools for efficient material removal

High power output at a low weight

All DEPRAG Industrial grinders excel through their compact design while simultaneously achieving a high power output. Especially when used with carbide cutters, these tools offer a powerful solution.

Ergonomic

The ergonomic design of the handle and the surface treatment of the grip allows a continued and low-fatigue operation.

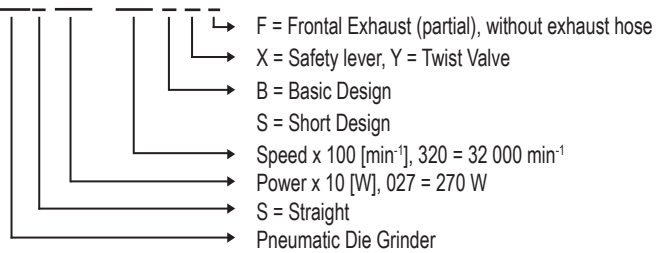
Highly durable

The robust construction assures a high longevity of your tool - even when used in continued- and mass-fabrications.



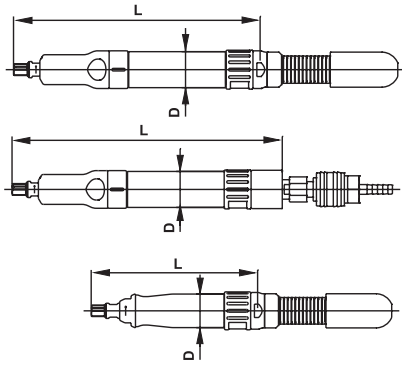
TYPE KEY

GDS 027 - 320 B X F

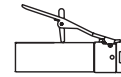


SPECIFICATIONS - GRINDERS WITH COLLETS - INLINE DESIGN

Design



Basic Design B,
Twist Valve



Any model can be supplied with a lever-start instead of a twist-start.

Basic Design with
Frontal Exhaust B.F,
Twist Valve

Short Design S,
Twist Valve

Twist Valve, Short Design Air-exhaust located on the rear	Model Part No.	GDS 015-470 SY 3147401D	GDS 027-320 SY 3148457A	-	-
Safety Lever, Short Design Air-exhaust located on the rear	Model Part No.	GDS 015-470 SX 3147401E	GDS 027-320 SX 3148457B	-	-
Twist Valve, Basic Design Air exhaust located on the rear (B.) Frontal exhaust - partial (B.F)	Model Part No.	-	-	GDS 027-320 BY^{*)} 3148457C	GDS 027-320 BYF^{*)} 3148457F
Safety Lever, Basic Design Air exhaust located on the rear (B.) Frontal exhaust - partial (B.F)	Model Part No.	-	-	GDS 027-320 BX^{*)} 3148457D	GDS 027-320 BXF^{*)} 3148457G
Speed (no load)	min ⁻¹ (rpm)	47 000	32 000	32 000	32 000
Max. power output	W (hp)	150 (.20)	270 (.36)	270 (.36)	270 (.36)
Air consumption (load)	m ³ /min (cfm)	0,23 (8.12)	0,3 (10.6)	0,3 (10.6)	0,3 (10.6)
I.D. of air inlet hose	mm (in)	6 (.24)	6 (.24)	6 (.24)	6 (.24)
Max. Ø of grinding tip	mm (in)	16 (.63)	25 (.98)	25 (.98)	25 (.98)
Max. Ø of grinding insert	mm (in)	6 (.24)	10 (.39)	10 (.39)	10 (.39)
Weight (without hoses)	kg (lbs)	0,26 (.57)	0,34 (.79)	0,42 (.93)	0,54 (1.19) 0,61 (1.34)
Length of supply / exhaust hose	m	2 / 0,75	2 / 0,75	2 / 0,75	-
Dimensions Ø DxL	mm (in)	30 x 148 (1.18x5.83)	30 x 159 (1.18x6.23)	30 x 206 (1.18x8.11)	30 x 209 (1.18x8.23)
Air connection		Hose nozzle (Part No. 6015339)	Hose nozzle (Part No. 6015339)	Hose nozzle (Part No. 6015339)	Hose nozzle (Part No. 323214)

Specifications at 90 psi (6,3 bar)

^{*)} without exhaust hose
^{**)} with exhaust hose

Standard Equipment:	Part Number
Collet Ø 6 mm	312688
Spanner 9 mm	800401
Spanner 10 mm	800402

Optional Accessories:	Part Number
Collet Ø 3 mm	312681
Collet Ø 4 mm	312684
Collet Ø 5 mm	312686
Collet Ø 6 mm	312688
Collet Ø 1/8" (3,175 mm)	312682
Collet Ø 1/4" (6,35 mm)	312689

DEPRAG

DEPRAG CZ a.s., Lázně Bělohrad

DEPRAG CZ a.s., T. G. Masaryka 113, 507 81 Lázně Bělohrad - Czech Republic
Tel.: +420-493 771 511, Fax: +420-493 771 623, E-mail: sales@deprag.cz, Internet: www.deprag.cz

