



Screwdriving technology

Automation

Air motors

Air tools

DEPRAG

**Handheld Screwdriver
pneumatic for
special applications**

VARIOMAT, Drilling Machine and Screwdriver in one Tool

Versatile for the Wood Industry

- **Perfectly balanced and ergonomic handle**
- **For a wide range of applications**
- **High speeds**
- **High torque output**

The flexible VARIOMAT Screwdriver, which was specially designed for the industries of wood processing, permits the use in many different application varieties:

this tool is able to drill holes and also to assemble screws.

By using suitable accessories a full range of applications can be handled with just one tool - no matter if the tool is used for screwdriving or for drilling!

The ergonomic shape of the handle allows a good grip and assures a fatigue-proof effort over long time periods.

The speed of 2,000 rpm assures the efficient and economical operation of this All-Rounder for any wood processing.

Screwdriving with the VARIOMAT:

Screwdriving into hardwood up to a screw shaft-diameter of 4-mm and into softwood up to a diameter of 5-mm, are the strong points of the VARIOMAT.

We offer several different design variations of the flexible pistolgrip screwdriver:

- **VARIOMAT with shut-off clutch:**

Fulfills the high accuracy demands. Screwdriver will torque out and shut off automatically after reaching the pre-set torque.

- **VARIOMAT with slip clutch:**

As soon as the preset torque is reached, the slip-clutch activates. For assemblies such as hinges on windows.

- **VARIOMAT with adapter:**

The cost-effective direct-drive solution without shut-off, simplify different tasks such as the clamping of bits.

Drilling with the VARIOMAT:

The VARIOMAT is designed for the drilling into wood up to 10-mm.

We offer keyless drill chuck or standard drill chuck as suitable accessories.



VARIOMAT (basic model without accessories)



TECHNICAL DATA

VARIOMAT (basic model)	Type	305-237UH
	Part no.	401354 A
Speed (idling)	rpm	2000
Stall torque max.	Nm/in.lbs	5.7 / 50
Air consumption	m ³ /min/cfm	0.5 / 17.7
Weight	kg/lbs	0.9 / 2
Hose I.D.	mm/in.	10 / 0.39
Power	W	230
Noise level	dB (A)	78
Connector thread for air hose		1/4" m

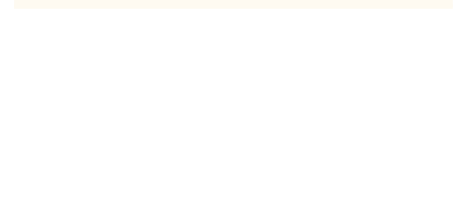
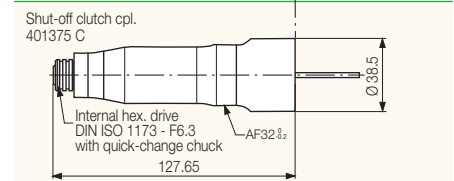
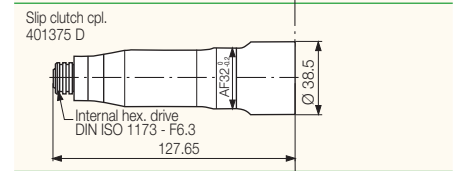
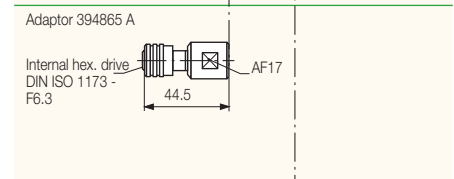
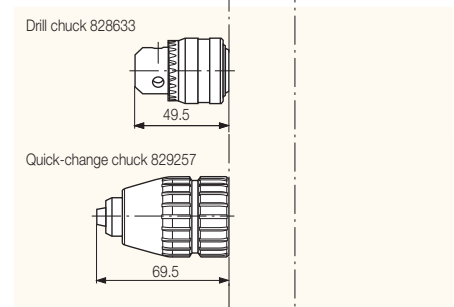
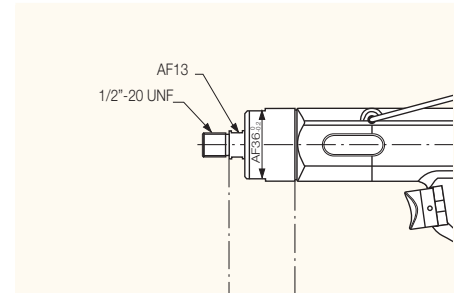
OPTIONAL EQUIPMENT

Drill chuck (chucking range 0.8 - 10 mm)	Part no.	828633
Quick-change chuck (chucking range up to 13 mm)	Part no.	829257
Adaptor	Part no.	394865 A
Internal hex. of shaft, DIN ISO 1173 with integrated quick-change chuck (for suitable inserting tools and connectors with DIN ISO 1173 – E6.3 (1/4") drive, please also check brochure D 3320 E – Inserting Tools for Screw Drivers)		F6.3 (1/4")
Slip clutch cpl.	Part no.	401375 D
Torque min.	Nm/in.lbs	0.5 / 5
Torque max.	Nm/in.lbs	4 / 35
Weight	kg/lbs	1.1 / 2.4
Shut-off clutch cpl.	Part no.	401375 C
Torque max. (soft pull-up)	Nm/in.lbs	4.5 / 40
Torque max. (hard pull-up)	Nm/in.lbs	5 / 44
Weight	kg/lbs	1.1 / 2.4

Performance data relate to an air pressure of 6.3 bar (90 PSI)

For the handling of wood screws, the following table may be used as a guideline:

Max. screw size	Hardwood	Softwood
4 x 60	✓	✓
5 x 50	-	✓



DEPRAG

DEPRAG SCHULZ GMBH u. CO.
P.O. Box 1352, D-92203 Amberg, Germany
Carl-Schulz-Platz 1, D-92224 Amberg
Phone (+49) 9621 371-0, Fax (+49) 9621 371-120
www.deprag.com
info@deprag.de



CERTIFIED AS PER DIN EN ISO 9001